

CODE NUMBER

10001302

DESCRIPTION

SU-1009 Urinal and ROYAL 186 SMOOTH Flushometer.

COMPONENTS

- Flushometer: Code 3912700
- Urinal: Code 1101009

DETAILS

- Flush Volume: 0.125 gpf (0.5 Lpf)
- Nominal Dimensions: 14 ¼" x 17 ¼" x 25 ½" (362 x 438 x 648mm)

FLUSHOMETER FEATURES

- Non-Hold-Open Handle, Fixed Metering Bypass and No External Volume Adjustment to Ensure Water Conservation
- Spud Coupling and Spud Flange for ¾" Top Spud
- Stop Seat and Vacuum Breaker molded from PERMEX® Rubber Compound for Chloramine Resistance
- "User in View" Flashing LED
- Sweat Solder Adapter w/Cover Tube and Cast Wall Flange w/Set Screw

Optima SMOOTH Unit

- "User in View" Flashing LED
- ADA Compliant OPTIMA® SMOOTH® Line Powered Infrared Sensor for automatic "Hands-free" operation
- Sensor with Automatic Range Adjustment
- Mechanical Manual Override Flush Handle

Optional Transformers

- EL-451 (0345125) box mounted transformer (up to 6 Flushometers)
- EL-386 (0345095) plug in transformer (1 Flushometer)

FIXTURE FEATURES

- White Vitreous China
- Washdown flushing action
- Integral flushing rim
- ¾" I.P.S. top spud inlet
- 2" NPT outlet flange
- Vandal resistant strainer assembly included
- All mounting hardware included
- 100% factory flush tested



COMPLIANCES & CERTIFICATIONS



(ADA Compliant, BAA Compliant, BREEAM Water Credit, CalGreen Compliant, CEC Compliant, cUPC Green Certified, Green Globes Water Credit, LEED V4 Water Efficiency Credit, Satisfies LEED Credits, WaterSense Listed)

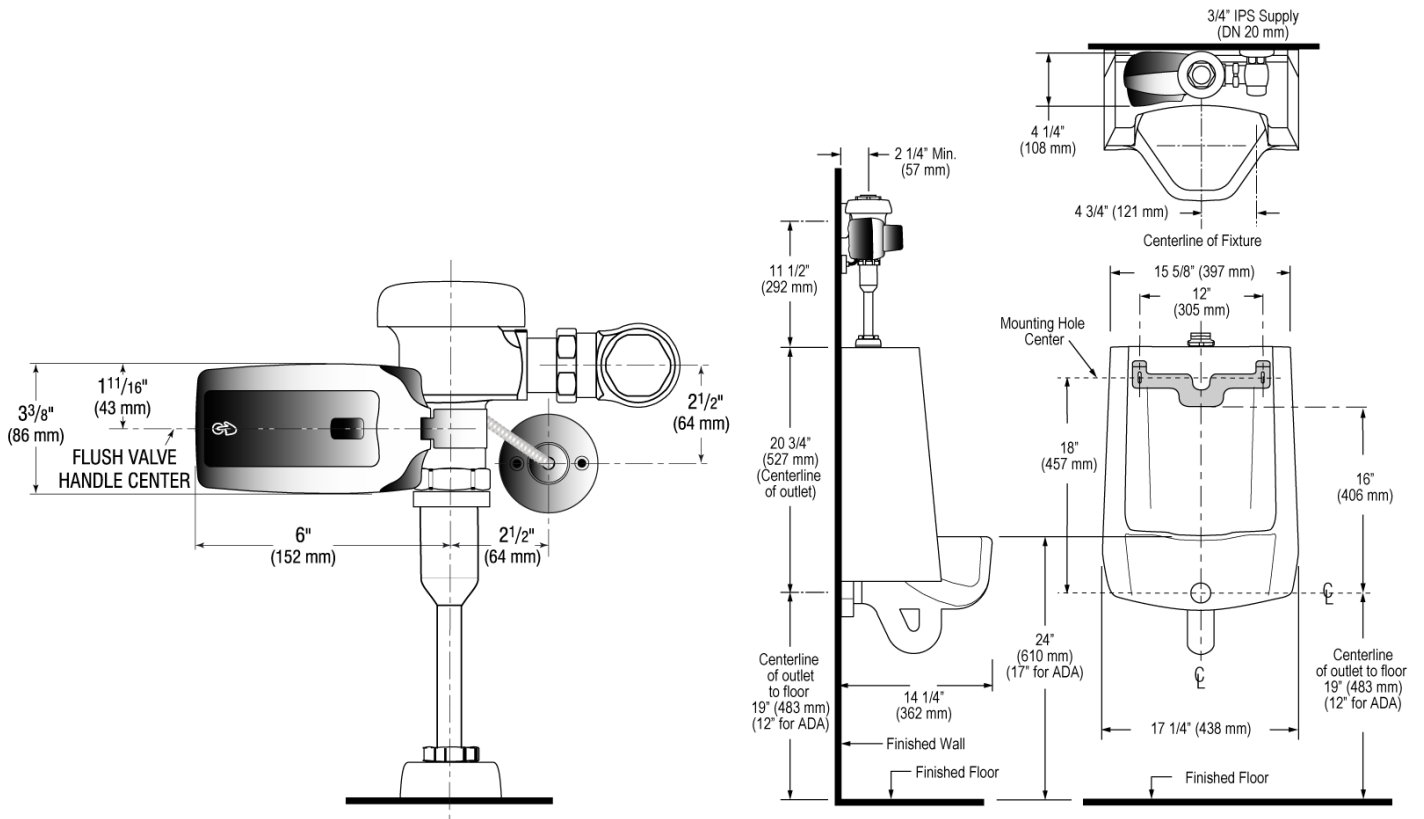
DOWNLOADS

- [Standard Spud Urinal Installation Instructions](#)
- [EL 600-A Installation Instructions](#)
- [SS/ST/SU/WETS/WEUS Fixtures Repair and Maintenance Guide](#)
- [Additional Downloads](#)

NOTES

All information contained within this document subject to change without notice.

ROUGH-IN



Sloan 10500 Seymour Ave, Franklin Park, IL 60131

Phone: 800.982.5839 • Fax: 800.447.8329 • sloan.com